

IP20

Battery Backup

120V/60Hz
120-277V/50-60Hz



Technical Specification

Application: Cabins, corridors, restrooms, etc.

Approvals: UL 1598 & 1598A and CSA C22.2 No.250.0-00

Protection: IP20

Housing: Aluzinc sheet steel.

Finish: Epoxy powder coated, white RAL 9016.

Diffuser: 3mm opal acrylic diffuser attached by endcaps.

Electrics: Flexible wiring, heat resistant to 105°C.

Cable entry: One 1/2" knockout in back and top.

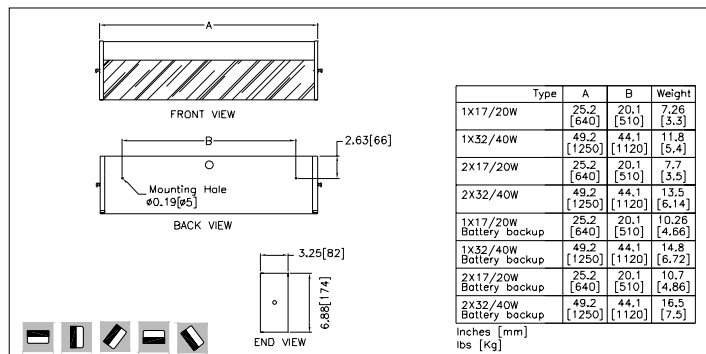
Lamp base: G13

Light source(not included): Fluorescent lamp; 17/32W T8 with electronic ballast, 20/40W T12 with magnetic ballast.

Battery backup: Optional 90-minute battery backup. 500-600 lumens for 90 minutes at 20°C. Other configurations available upon request.

Charge time after full discharge: 24 hours.

Mounting: Cornice mounting, direct to bulkhead or deckhead.



Type	Without battery backup		With 90 minute battery backup	
	Voltage 120V/60Hz - HPF	Universal Voltage 120-277V/50-60Hz	Voltage 120V/60Hz - HPF	Universal Voltage 120-277V/50-60Hz
1X17 Watt	GKASA 1010	GKASA 1020	GKASA 1016	GKASA 1023
1X20 Watt	GKASA 1000	-	GKASA 1004	-
1X32 Watt	GKASA 1008	GKASA 1021	GKASA 1017	GKASA 1024
1X40 Watt	GKASA 1001	-	GKASA 1005	-
2X17 Watt	GKASA 1011	GKASA 1013	GKASA 1018	GKASA 1025
2X20 Watt	GKASA 1002	-	GKASA 1006	-
2X32 Watt	GKASA 1009	GKASA 1022	GKASA 1019	GKASA 1026
2X40 Watt	GKASA 1003	-	GKASA 1007	-

Other voltages on request

Spare Parts					
Item	Description	Part No.	Item	Description	Part No.
Ballast	1X17W ; 120V/60Hz ; Magnetic	991014	Lampholder	17/20/32/40W ; G13 ; White (4 pcs)	992001
	1X32W ; 120V/60Hz ; Electronic	991000		Diffuser	17/20W ; Opal diffuser
	1X20W ; 120V/60Hz ; Magnetic	991016	32/40W ; Opal diffuser		993053
	1X40W ; 120V/60Hz ; Magnetic	991017	Battery	Battery backup unit ; 90 minute ; 120V	991004
	2X17/32W ; 120-277V/50-60Hz ; Electronic	991003		Battery backup unit ; 90 minute ; 120-277V	991036
	2X17/32W ; 120V/60Hz ; Electronic	991000	Lamp	17W/T8 ; Bi-pin ; Cool White	994000
	2X20W ; 120V/60Hz ; Magnetic	991001		20W/T12 ; Bi-pin ; Cool White	994001
	2X40W ; 120V/60Hz ; Magnetic	991002		32W/T8 ; Bi-pin ; Cool White	994002
		40W/T12 ; Bi-pin ; Cool White		994003	