

# DLT RS (M) FR

## Ceiling Luminaire, Recessed

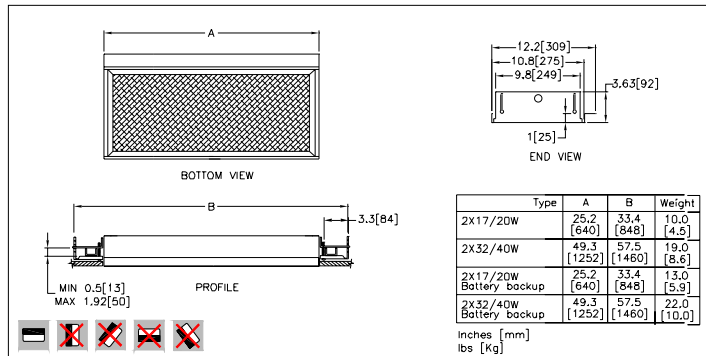
IP20	Battery Backup	120V/60Hz 120-277V/50-60Hz
------	----------------	-------------------------------

### Technical Specification

**Application:** Interior, recessed mounted.  
**Approvals:** UL 1598 & 1598A and CSA C22.2 No.250.0-00  
**Protection:** IP20  
**Housing:** Aluzinc sheet steel.  
**Finish:** Epoxy powder coated, white RAL 9016.  
**Diffuser:** Aluminium extrusion frame with a selection of different acrylic diffuser materials. FR1: Double prismatic acrylic panel, FR2: Acrylic opal panel, FR3: White acrylic grid, FR4: Metallised acrylic grid in silver.  
**Electrics:** Flexible wiring, heat resistant to 105°C; through wiring up to 15 A.  
**Cable entry:** One ½" knockout in each end and back.  
**Lamp base:** G13  
**Light source(not included):** Fluorescent lamp; 17/32W T8 with electronic ballast, 20/40W T12 with magnetic ballast.  
**Battery backup:** Optional 90-minute battery backup. 500-600 lumens for 90 minutes at 20°C. Other configurations available upon request.  
**Charge time after full discharge:** 24 hours.  
**Mounting:** Designed for recessed parallel mounting in a linear interlocking ceiling system.(Dampa, Dana Acoustic, BIP, etc.). Mounting kit provided.  
**Dimming:** Optional dimming ballast available upon request.



FR1 Diffuser Shown



Type	Diffuser Type	Without battery backup		With 90 minute battery backup	
		Voltage 120V/60Hz - HPF	Universal Voltage 120-277V/50-60Hz	Voltage 120V/60Hz - HPF	Universal Voltage 120-277V/50-60Hz
2X17 Watt	FR1	DLT 1000	DLT 1021	DLT 1004	DLT 1023
	FR2	DLT 1019	DLT 1030	DLT 1026	DLT 1032
	FR3	DLT 1034	DLT 1042	DLT 1038	DLT 1044
	FR4	DLT 1046	DLT 1054	DLT 1050	DLT 1056
2X20 Watt	FR1	DLT 1001	-	DLT 1005	-
	FR2	DLT 1010	-	DLT 1027	-
	FR3	DLT 1035	-	DLT 1039	-
	FR4	DLT 1047	-	DLT 1051	-
2X32 Watt	FR1	DLT 1002	DLT 1022	DLT 1006	DLT 1024
	FR2	DLT 1025	DLT 1031	DLT 1028	DLT 1033
	FR3	DLT 1036	DLT 1043	DLT 1040	DLT 1045
	FR4	DLT 1048	DLT 1055	DLT 1052	DLT 1057
2X40 Watt	FR1	DLT 1003	-	DLT 1007	-
	FR2	DLT 1011	-	DLT 1029	-
	FR3	DLT 1037	-	DLT 1041	-
	FR4	DLT 1049	-	DLT 1053	-

Other voltages on request

# Ceiling Luminaire, Recessed

# DLT RS (M) FR

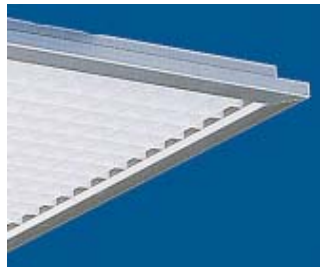
Spare Parts					
Item	Description	Part No.	Item	Description	Part No.
Ballast	2X17/32W ; 120V/60Hz ; Electronic	991000	Lampholder	17/20/32/40W ; G13 ; White (4 pcs)	992001
	2X20W ; 120V/60Hz ; Magnetic	991001	Battery	Battery backup unit ; 90 minute ; 120V	991004
	2X40W ; 120V/60Hz ; Magnetic	991002		Battery backup unit ; 90 minute ; 120-277V	991036
	2X17/32W ; 120-277V/50-60Hz ; Electronic	991003	Lamp	17W/T8 ; Bi-pin ; Cool White	994000
Diffuser (including frame)	FR1: 17/20W Double prismatic	993011		20W/T12 ; Bi-pin ; Cool White	994001
	FR2: 17/20W Opal diffuser	993012		32W/T8 ; Bi-pin ; Cool White	994002
	FR3: 17/20W White plastic grid	993013		40W/T12 ; Bi-pin ; Cool White	994003
	FR4: 17/20W Metallised silver grid	993014			
	FR1: 32/40W Double prismatic	993015			
	FR2: 32/40W Opal diffuser	993016			
	FR3: 32/40W White plastic grid	993017			
	FR4: 32/40W Metallised silver grid	993018			



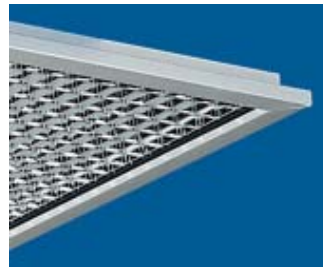
FR1



FR2



FR3



FR4

